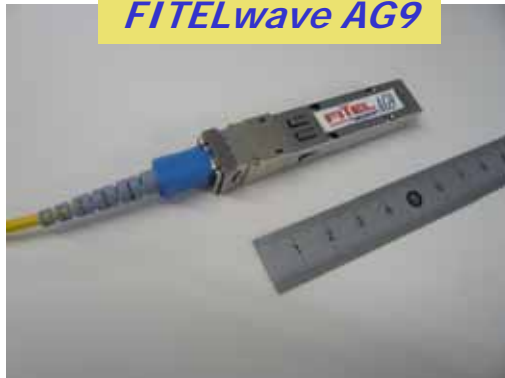


SFP ONU
FITELwave AG9



Feature

SFP Slot compatible, Small ONU Equipment

- Smart configuration with Switch. No AC adaptor, Ethernet cable.
 - ➔ Easily into the multi-dwelling unit (MDU) and enterprise application.
- (L2, L3, Router, etc) + (SFP-ONU) => " Functional ONU Node "
 - ➔ LAN equipment can be "ONU Node"!

Note) LAN equipment model that can connect it with SFP-ONU is being examined.

Low power consumption

- About 75% reduction. (power consumption, compared with our Box type ONU).
 - ➔ Feeding power by Switch, SFP-slot!
- Simple configuration and Energy-saving.
 - ➔ Environment friendly, Consideration to ecology

High reliability *High reliability design of No AC adaptor*

- Suitable for the Enterprises service.

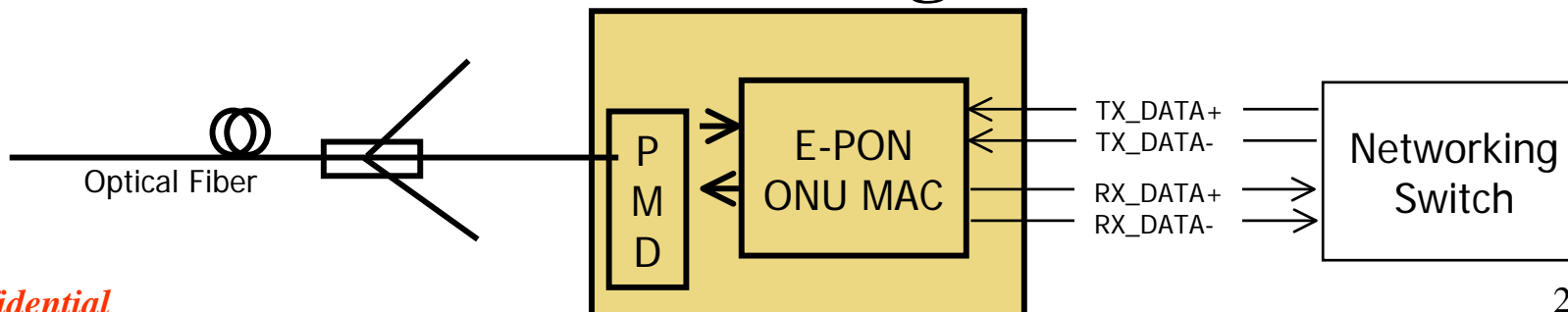
Summary (Preliminary)

- G-EPON ONU in a small form-factor pluggable (SFP)
- PON standard : G-EPON standard , IEEE802.3ah
- PON Interface : SC type connector
- Power supply : DC 3.3V (by SFP slot)
- Power Consumption : 1.5W typ.

GE-PON SFP ONU <FITELwave AG9> Specifications (Preliminary)

1. Optical Interface		3. Functions	
Speed	1.25Gbit/s	Point to Multipoint	8LLIDs/ONU(256LLIDs/OLT)
Fiber	1.3um SMF	QoS	Maximun Guaranteed Bandwidth(1kbps-step) Minimum Allowed Bandwidth(1kbps-step) Dynamic Bandwidth Allocation(DBA)
Wavelength	downstream:1480~1500nm upstream:1260~1360nm	Security	128bit Advanced Encryption Standard(AES)
Average Launch Power	-1dBm(min)	VLAN	802.1Q VLAN mapping to LLID
Extension Ratio	9dB(min)	IP Multicast	IGMP snooping
Receiver Sensitivity	-26dBm(max)	802.1D(.1q) Priority Queing	up to 20 queues support for both upstream/downstream direction
2. Electrical Interface			
Supply Voltage	3.3V typ.		
Input Voltage Swing(TX_DATA)	0.50~2.4Vp-p		
Output Voltage Swing(RX_DATA)	0.37~2.0Vp-p		

Block Diagram



Feature

The fiber line is efficiently operated by applying

MiMAX of the GE-PON system to the Backhaul line.

Micro SFP-ONU can be mounted directly on the SFP port of WiMAX BS.

- Installation cost reduction of BS

- Avoid a lightning protection with optical fiber

QOS, Bandwidth of each BS, Ch can be operated by GE-PON Function.

- Max.8ch logical links of each SFP-ONU can be available.

ex. For WiMAX Base Station Access System



Feature

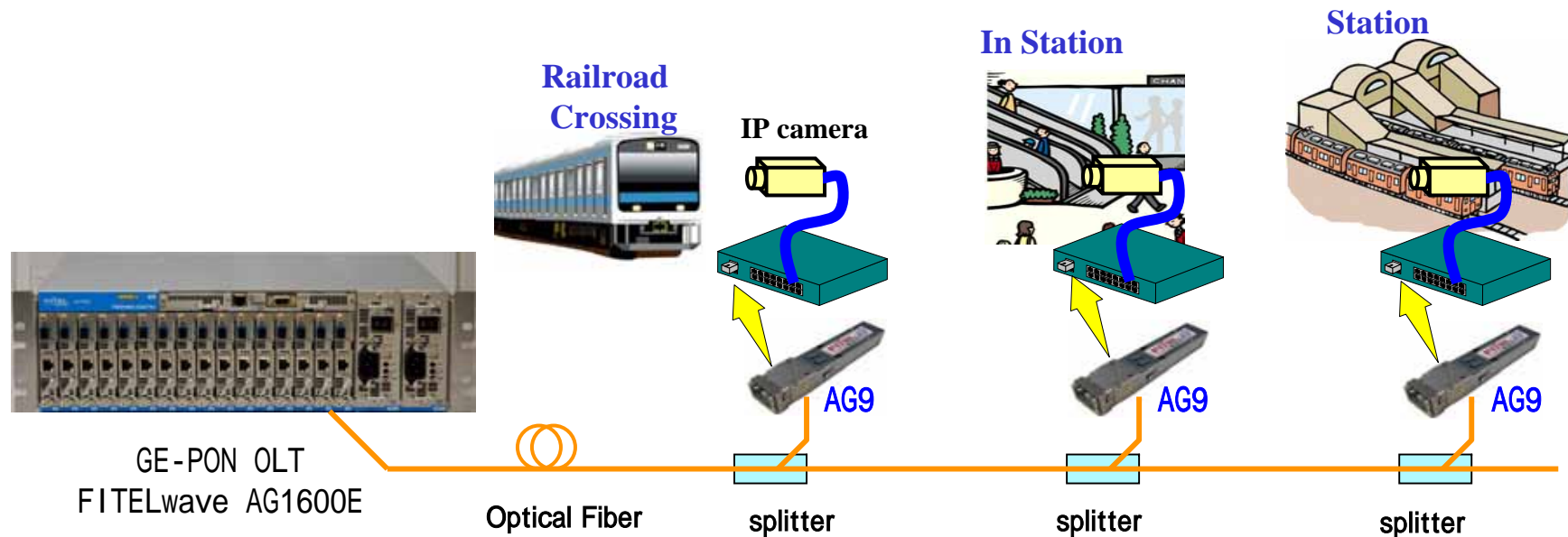
The fiber line is efficiently operated by applying the GE-PON system to the IP monitoring system. Railway and road, etc.

SFP-ONU can be mounted directly on the SFP slot of LAN equipment.

- Installation cost reduction in equipment composition and space, etc.
- Avoid a lightning protection with optical fiber

QOS, Bandwidth of each BS, Ch can be operated by GE-PON Function.

- Max.8ch logical links of each SFP-ONU can be available.

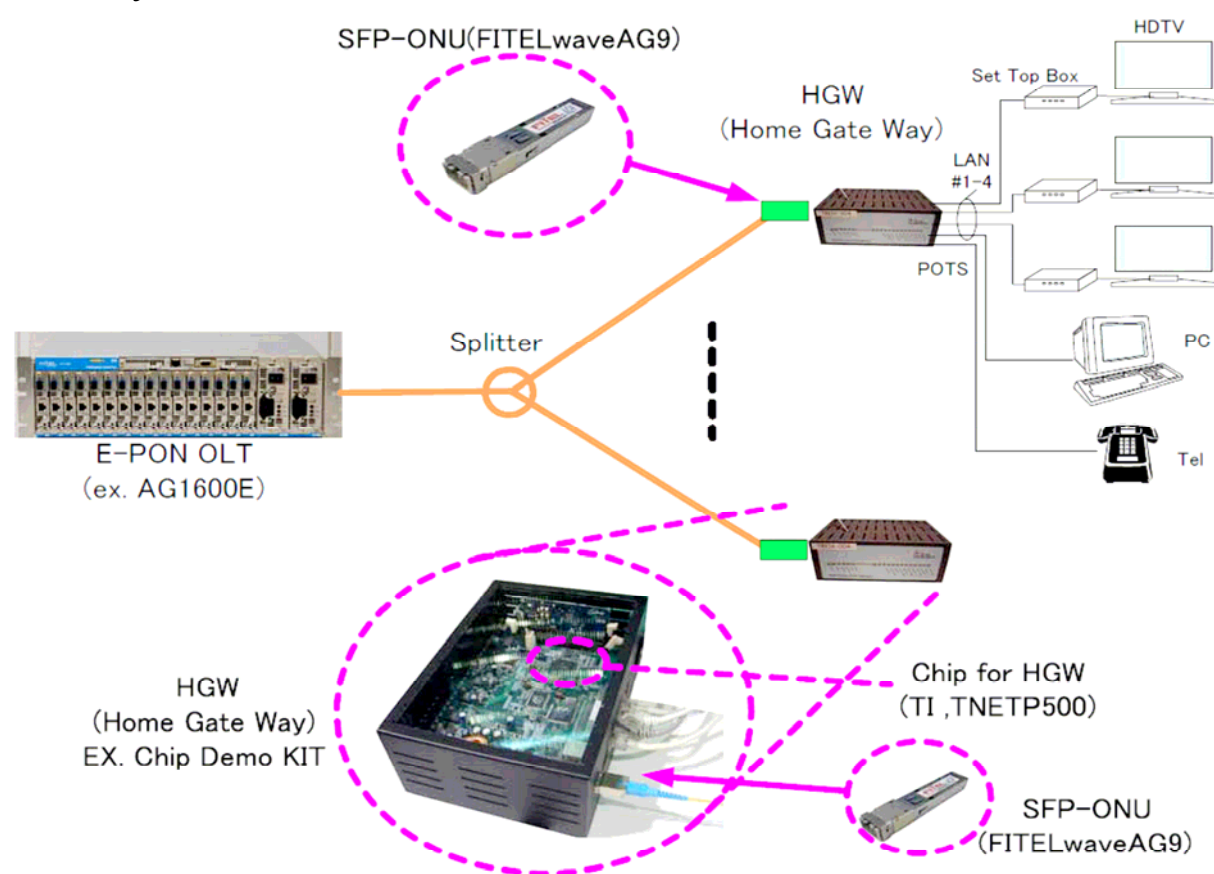


Feature

SFP-ONU + Home Gate Way Solution

SFP-ONU can be mounted directly on the SFP slot of Home Gate Way BOX.
 QOS, Bandwidth of each services can be operated by GE-PON Function.

- Max.8ch logical links of each SFP-ONU can be available.
- ex. High priority SLA for Tel-line. Limited bandwidth SLA for PC.etc.



Reference info.

Home-Gateway (PCA-285)

